

CODE / NAME:

SENA SINK

FAMILY:

SINKS

DESCRIPTION:

SENA PEDESTAL SINK

COLOR:

WHITE

IMAGE:

Single lever mono mixer not included



REGULATIONS
NOT APPLICABLE

CERTIFICATION
NO

MATERIAL
VITRIFIED CERAMICS

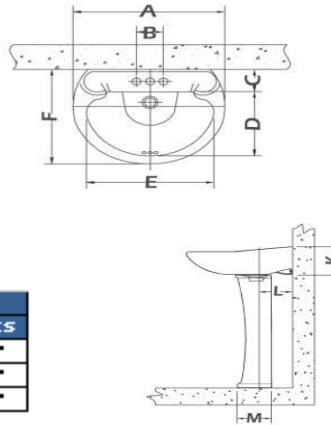
TECHNICAL CHARACTERISTICS

PEDESTAL SINK.

AVAILABLE FOR 4" AND 8" VALVES AND SINGLE LEVER MONO MIXER.

DIMENSIONS		
ZONE	mm	INCHES
A	565	22 1/4"
B	102	4"
C	102	4"
D	311	12 1/4"
E	470	18 1/2"
F	451	17 3/4"
G	845	33 1/4"
H	210	8 1/4"
I	832	32 3/4"
J	686	27"
K	152	6"
L	165	6 1/2"
M	165	6 1/2"

DIMENSIONS		
ZONE	mm	INCHES
LENGTH	451	17 3/4"
WIDTH	565	22 1/4"
HEIGHT	845	33 1/4"



NOTE: DIMENSIONS MAY VARY ACCORDING TO THE STANDARDS.

WEIGHT OF THE PRODUCT WITHOUT PACKAGING MATERIAL:
SINK 12 Kg / 26.40 lb PEDESTAL 7.55 Kg / 16.62 lb

SHAPE:

NOT APPLICABLE

SEAT:

NOT APPLICABLE

INSTALLATION:

PLACE THE SINK DRAIN PIPE CHECK-NUT ON THE OUTLET HOLE.

PUT THE SINK IN PLACE AGAINST THE WALL IN ORDER TO IDENTIFY THE MOUNTING POSITION. PREPARE THE WALL AND INSTALL THE SINK, MAKE SURE THAT THERE IS NO SPACE BETWEEN THE SINK, PEDESTAL, FLOOR AND WALL. CONNECT THE SINK DRAIN PIPE TO THE DRAINAGE NETWORK, INSTALL THE SINGLE LEVER MONO MIXER (SINK DRAIN PIPE AND MONO MIXER ARE NOT INCLUDED). FINALLY, CHECK THE INSTALLATION.

TOILET PARTS:

NONE

RECOMMENDATIONS:

BEFORE SELECTING THE MIXER, VERIFY WHETHER IT IS COMPATIBLE WITH THE SINK DESIGN.

BEFORE STARTING INSTALLATION, MAKE SURE THAT THE FLOOR HAS AN APPROPRIATE STRUCTURE TO SUPPORT THE SINK.

DO NOT OVERTIGHTEN THE MOUNTING BOLTS, SINCE THE SINK MAY BE DAMAGED.

BE SURE TO ALIGN THE SINK WITH THE SANITARY SEWER AND WATER INLET LINES.

MAINTENANCE:

DO NOT ALLOW THE BATHROOM FURNITURE TO REMAIN UNCLEAN FOR A LONG TIME.

DO NOT USE AMMONIA OR ACIDS TO CLEAN THE BATHROOM FURNITURE, SINCE THESE SUBSTANCES DAMAGE THE TOILET FINISH IN AN IRREVERSIBLE WAY. USE SOAP AND SPONGE.

CLEAN THE OUTSIDE SURFACE OF THE TOILET WITH A SOFT WET CLOTH, ADD NON-ABRASIVE DETERGENT IF NECESSARY, THEN DRY IT.

WARRANTY:

10-YEAR WARRANTY AGAINST MANUFACTURING DEFECTS FOR CERAMICS.

IN THE EVENT OF ANY MANUFACTURING DEFECT, THE PRODUCT WILL BE REPLACED AT NO COST TO THE BUYER.